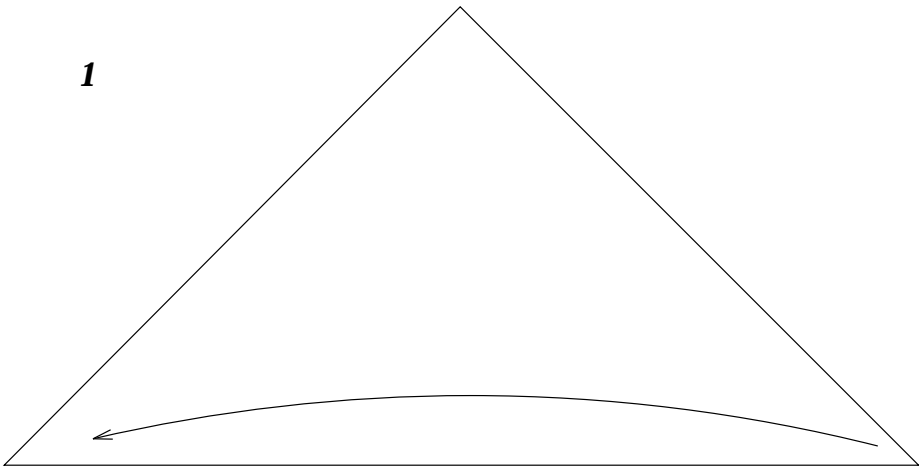
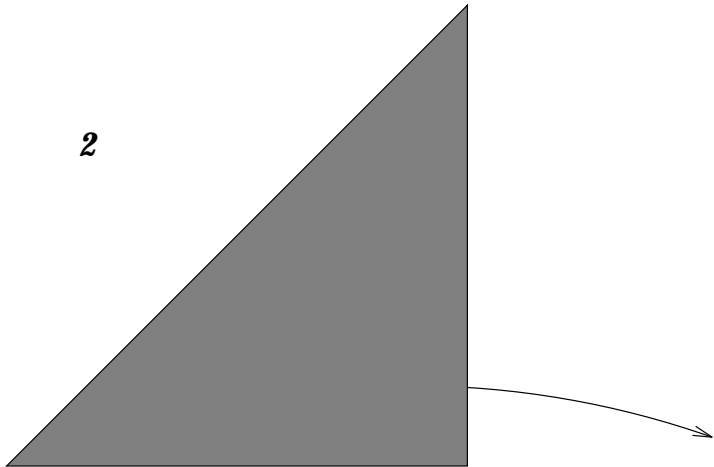


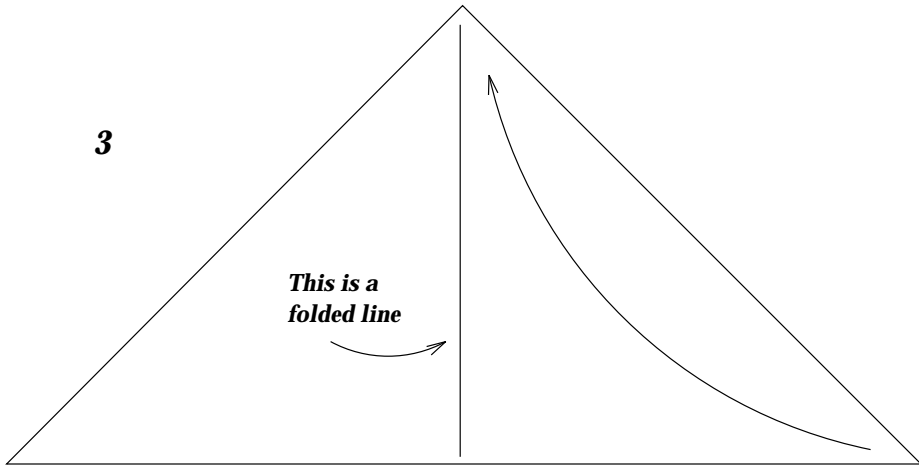
**1**



**2**

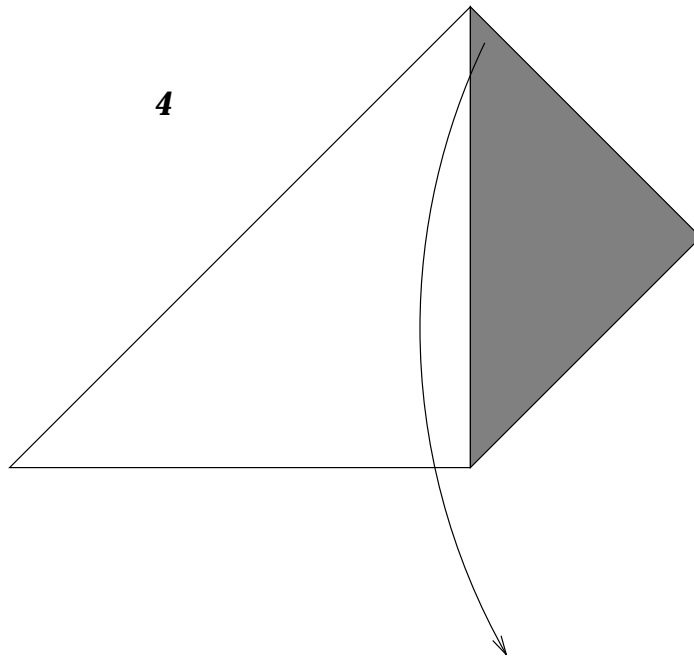


**3**



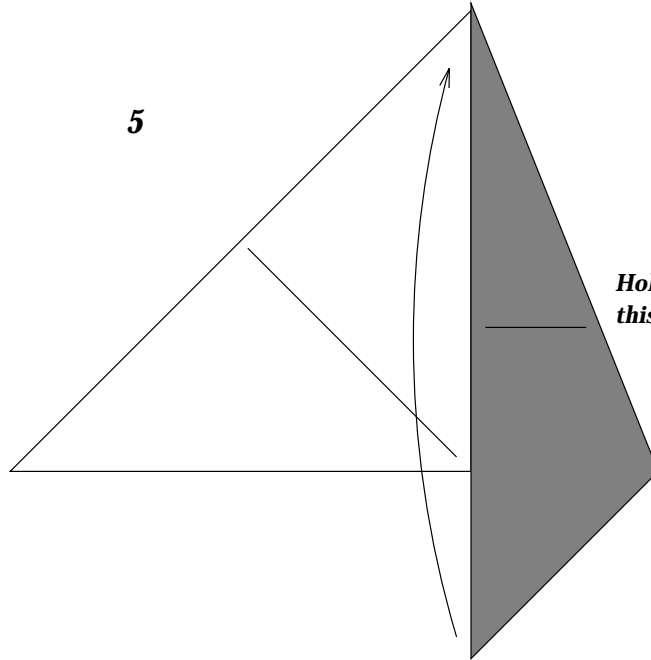
*This is a folded line*

**4**



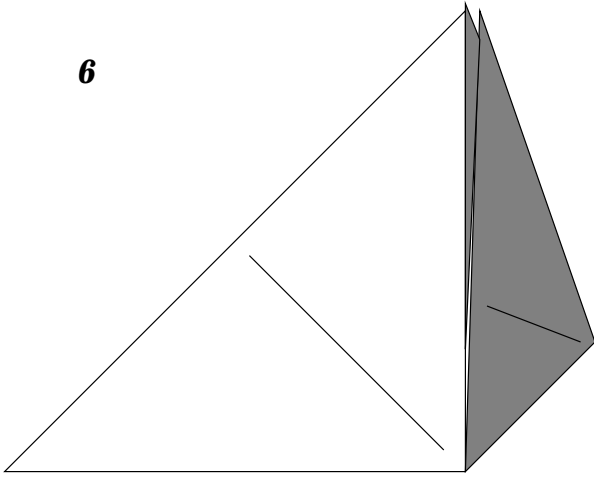
*From this point on, repeat all folds on both sides*

**5**

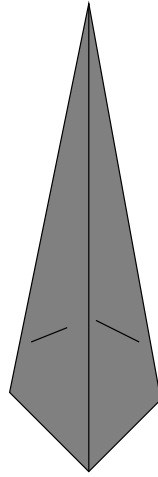


*Hold your finger on this line when folding*

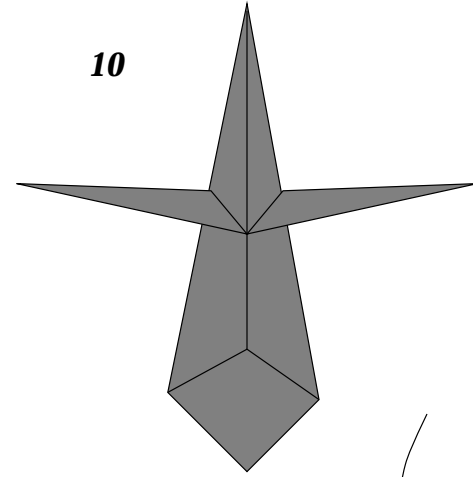
**6**



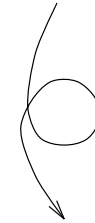
**8**



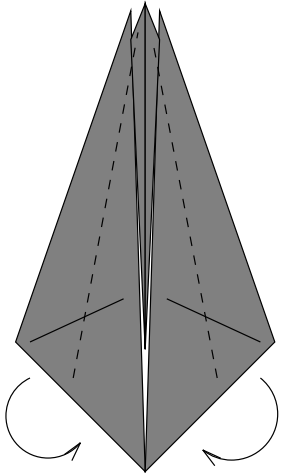
**10**



**Turn the figure around**

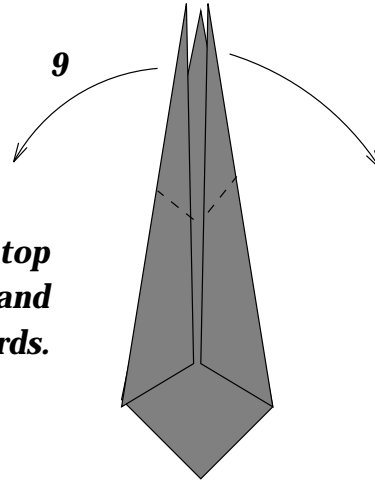


**7**



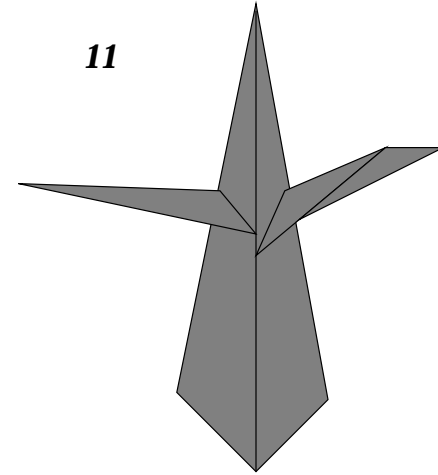
**Fold behind  
along the dotted  
line.**

**9**

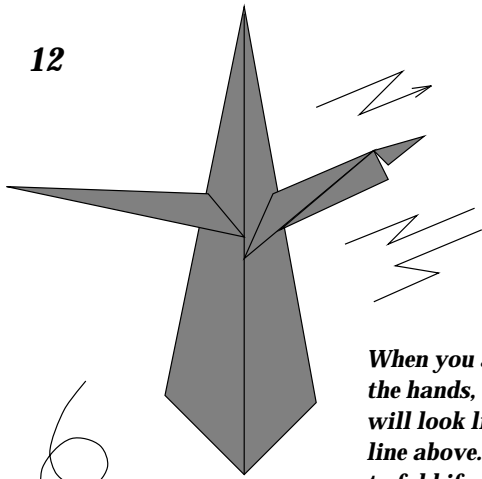


**Grab the top  
points and  
fold outwards.**

**11**



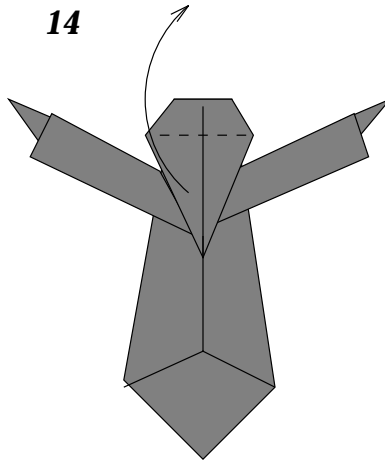
**Lift the top layer so that  
the arms become straight.**



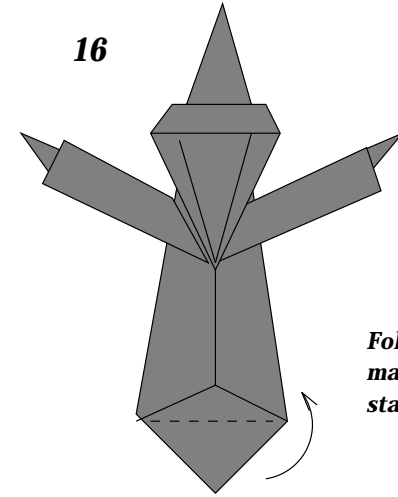
12

*When you are folding the hands, the paper will look like the zig-zagged line above. It might be easier to fold if you partly unfold the whole figure.*

*Turn around again*

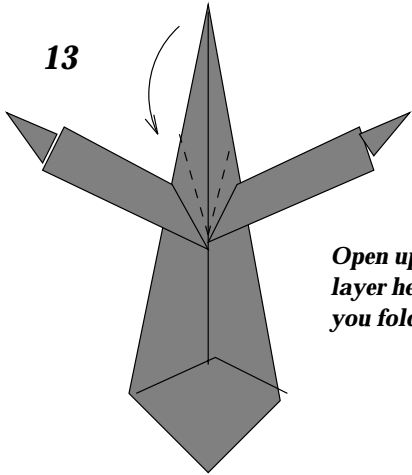


14



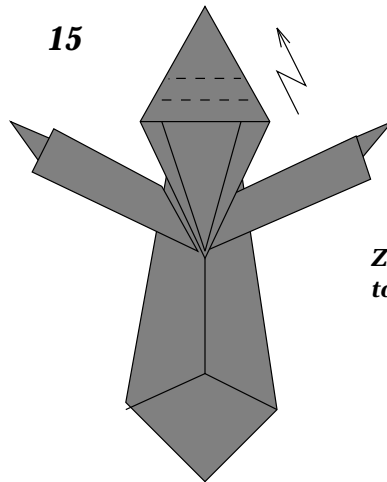
16

*Fold behind to make the WoSaT stand.*



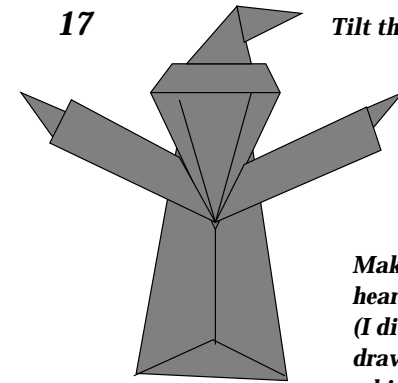
13

*Open up the inner layer here when you fold down*



15

*Zig-zag-fold to make cowl*



17

*Tilt the cowl*

*Make the cowl heartshaped. (I didn't want to draw it, as it is a bit difficult to draw)*

**18 - Finished WoSaT!**